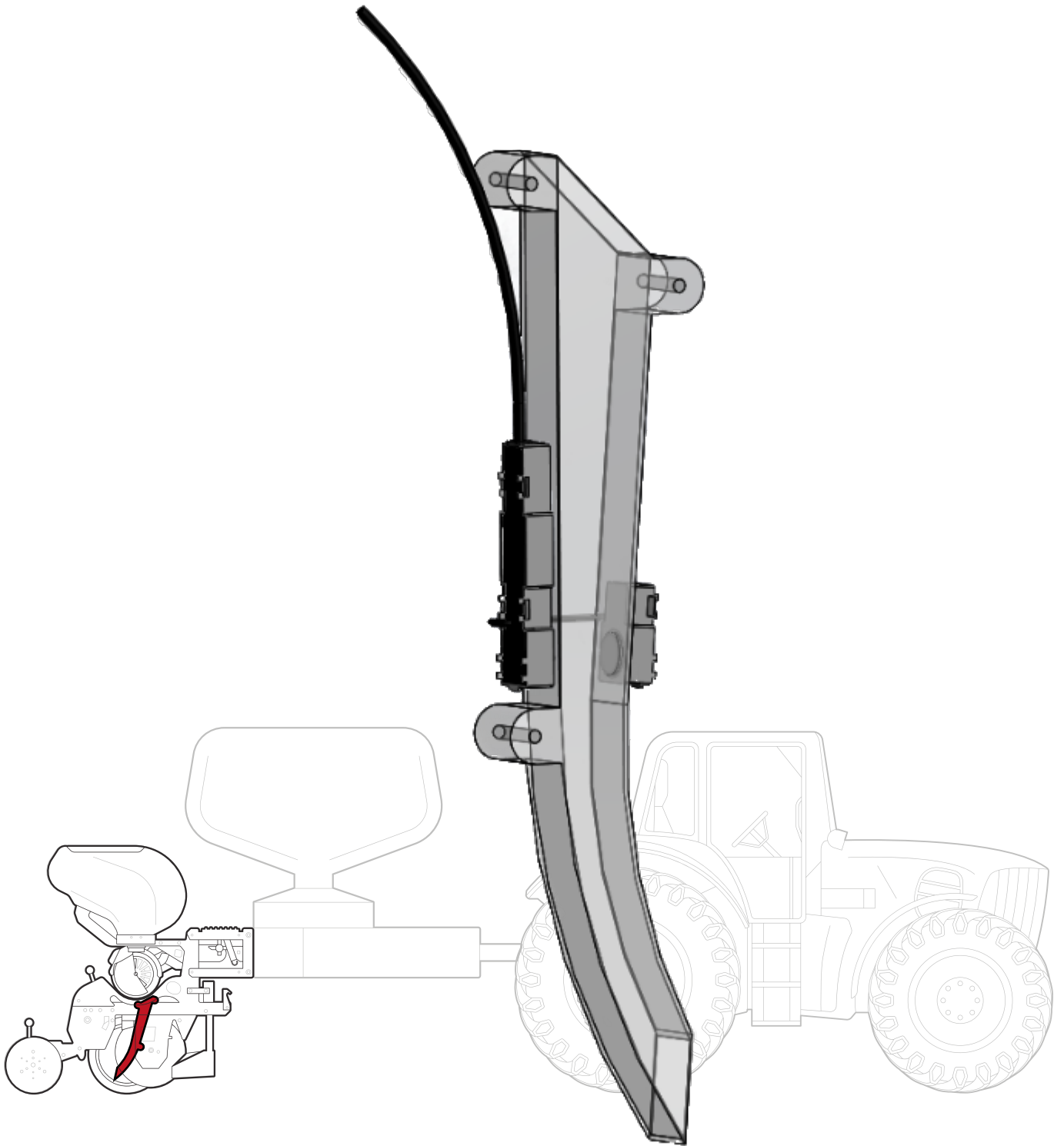
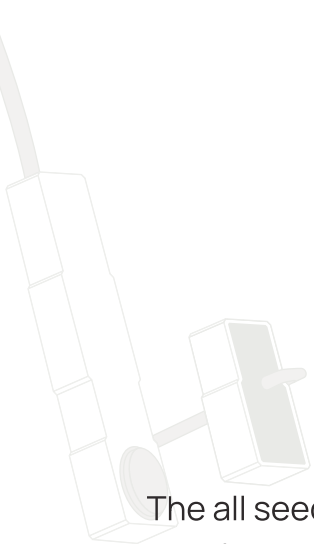


# ROBIN

PATENTED SEED SENSOR



# Sensor



The all seed types planter sensor developed by Ynnova for the precision sowing sector.

Six infrared sensors and the patented optical system guarantee the best performance in seed population counting

CORN SINGULATION: 100%  
CANOLA SINGULATION: 99,6%  
(based on ISO 7256-1 standard)

01

## Universality:

Regardless seeds dimension, down to 0,9mm, ROBIN quickly learns what seed type is being planted and adjusts its detection sensitivity accordingly.

02

## Accuracy:

The tube has no shaded areas thanks to the patented optics which always detect and count all seeds, even singulating simultaneous seed drops. Furthermore, Robin identifies dirt and debris and does not include them in the count.

03

## Compensation system:

In addition to its low sensitivity to dirt, the dust compensation system enables ROBIN to adapt its sensitivity in dusty condition, ensuring the best accuracy.

04

## Warning system:

A state-of-the art anti-scratch treatment is applied to the lens to make it resistant to abrasion and wear. If ROBIN's optics require cleaning, the sensor's external LED will light up, and a notification can be set to appear on the sowing control monitor.

05

## Advanced algorithms:

The seed recognition and counting algorithms ensure high reliability in the calculation of sowing frequency, detecting doubles, triples, quad drops, skips and misplaces.

06

## Assembly:

ROBIN is compatible with most seed tubes and includes retainers for the correct positioning of the fixing clamps. It is also designed for quick mounting without the need for clamps.

07

## ROBIN's versions:

The analogue output version is compatible with the main sowing control systems. The CANBUS version (which uses either a proprietary or customizable protocol) provides more advanced and real time information - such as multiples, skips, misplaces and software updates

